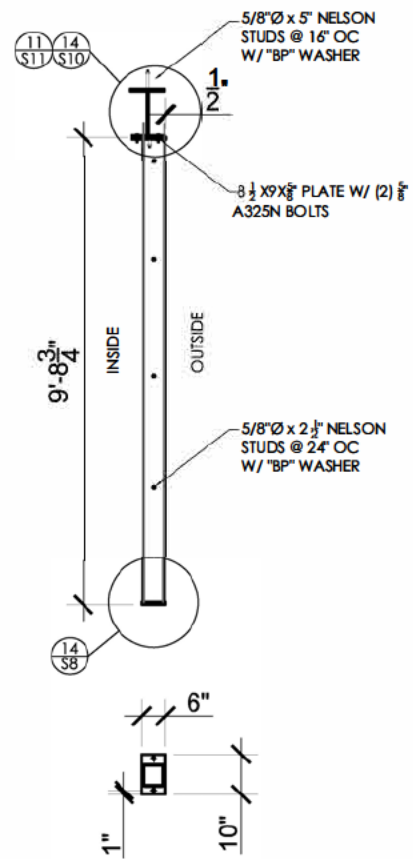


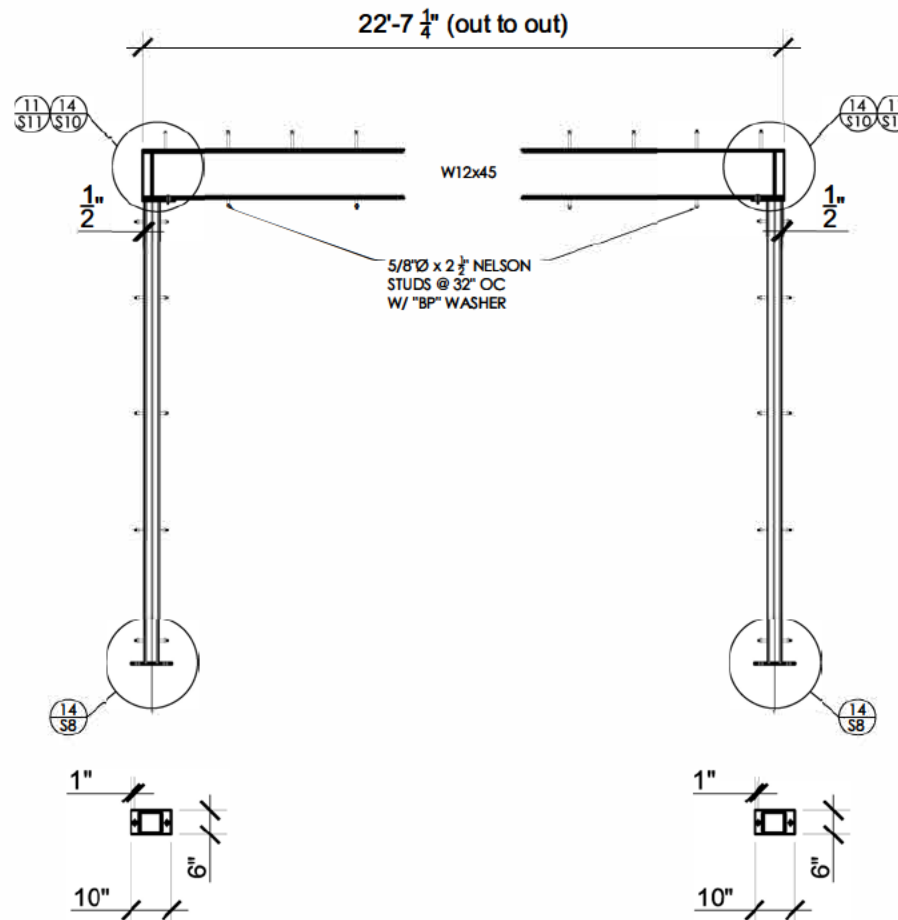
COLUMN #1
HSS6x4x $\frac{1}{8}$ WITH
12x10x $\frac{3}{8}$ BASE PLATE
WITH (4) $\frac{7}{8}$ " HOLES AND
SIMPSON ECCQ CAP

COLUMN #2
HSS6x4x $\frac{1}{8}$ WITH
12x10x $\frac{3}{8}$ BASE PLATE
WITH (4) $\frac{7}{8}$ " HOLES AND
SIMPSON CCQ CAP

COLUMN #3
HSS6x4x $\frac{1}{8}$ WITH
12x10x $\frac{3}{8}$ BASE PLATE
WITH (4) $\frac{7}{8}$ " HOLES AND
SIMPSON ECCQ CAP



COLUMN #4
HSS 5 $\frac{1}{2}$ x 5 $\frac{1}{2}$ x $\frac{1}{2}$ WITH
10x6x $\frac{3}{8}$ BASE PLATE
WITH (2) $\frac{3}{4}$ " HOLES AND
8 $\frac{1}{2}$ x 9x $\frac{3}{8}$ PLATE W/ (2) $\frac{5}{8}$ "
A325N BOLTS



COLUMN #5
HSS 5 $\frac{1}{2}$ x 5 $\frac{1}{2}$ x $\frac{1}{2}$ WITH
10x6x $\frac{3}{8}$ BASE PLATE
WITH (2) $\frac{3}{4}$ " HOLES AND
8 $\frac{1}{2}$ x 9x $\frac{3}{8}$ PLATE W/ (2) $\frac{5}{8}$ "
A325N BOLTS

STRUCTURAL STEEL DWGS FOR: